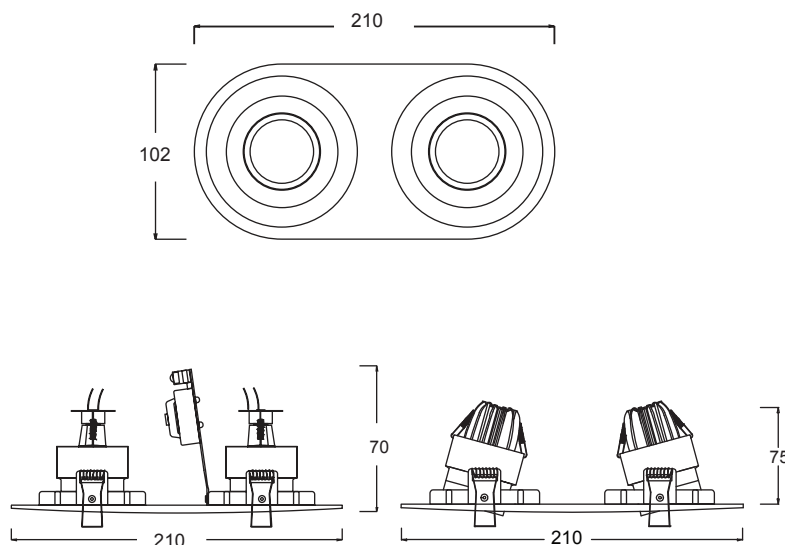


# OZ-ii - adjustable

Ceiling recessed downlight



Data Sheet



Oz-II is an adjustable twin position downlight.

The magnetic independent inner bezels offers easy lamp replacement without any disruption to the ceiling stucture or integrity.

## PRODUCT CODE

○ 02-165-01

● 02-165-02

## KEY FEATURES

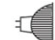
- Adjustable twin position downlight
- Deep recessed lamp position for low glare
- Magnetic fixation enabling easy lamp replacement
- Minimal appearance
- Colour : White | ral 9010  
Black | ral 9005

and in option other ral colours.

## SPECIFICATIONS

- Adjustability : 0° - 20° tilt, 360° rotation
- Aperture : ① 2x ∅80 x 115
- IP rating : IP 20
- Lamp info :

 GU10 / 230V

 MR16/ GU5.3/ 12V

 COIN LED

- Option : Protection glass for IP44