

Stef is a floor recessed spotlight ideal for both in-ground and wall mounted applications. Constructed from Inox 316 with a heat sink assembly, O-rings and a first fix sleeve ensures a long lasting fixture and watertight seal.

The deep recessed led position and the clear 5mm safety glass ensures anti-glare efficiently and creates visual comfort. IP67 rating as standard makes Stef suitable for both indoor and outdoor residential, public-buildings applications.

1. KEY FEATURES

- Recessed outdoor / indoor spotlight
- Body in stainless steel 316
- Heat sink assembly
- Deep recessed led position
- 5mm clear safety glass
- Standard in stainless steel 316
 - 01 white | ral. 9010 ,
 - 02 black | ral. 9005
 - (or any other ral of your choice)
- Supplied with silicon O-rings for maximum protection
- With neoprene cable 0,50cm / 2 x 0,75mm

2. SPECIFICATIONS

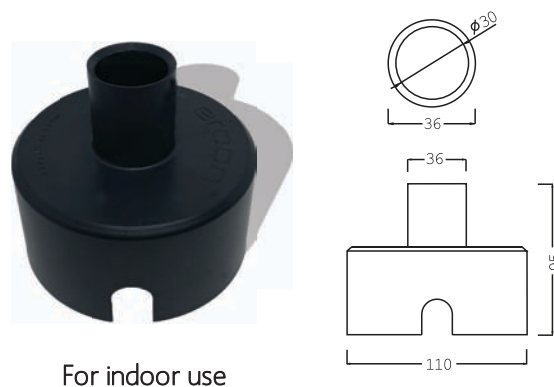
- Lamp info: Cree XP-G , 3000k, 1w/350mA
2w/500mA
- Fixture: 130-140lm / watt
- Optics : 26°, 54°, 86°
- Driver not included
- IP rating: IP 67
- Accessories: Mounting box

3. ACCESSORIES

Mounting box



For outdoor use



For indoor use