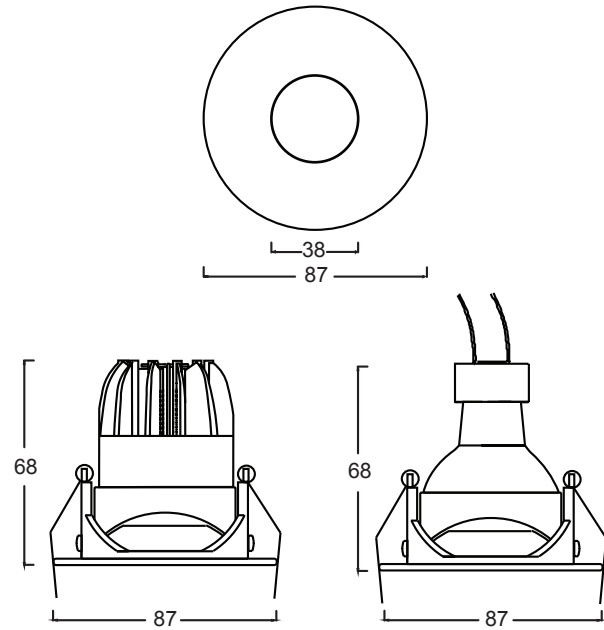
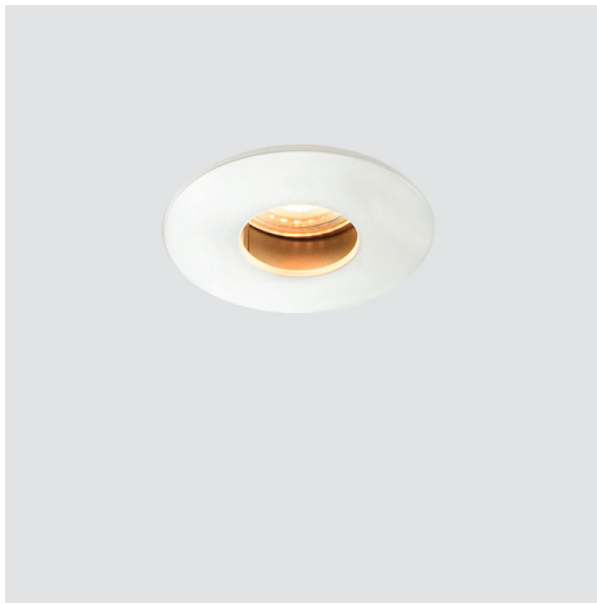


ANESIS pinhole

Ceiling recessed downlight



Data Sheet



Anesis pinhole is a flexible accent lighting solution to emphasize individual objects or architectural elements. The tilt mechanism allows the luminaire to be angled with precision up to 30°, allowing for optimum beam alignment. As a result, the light is emitted exactly where you want it.

PRODUCT CODE

○ 02-212-01

● 02-212-02

KEY FEATURES

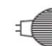
- Fixed & adjustable recessed downlight
- Deep recessed lamp position for low glare
- Minimal appearance
- Colour : White | ral 9010
Black | ral 9005

and in option other ral colours.

SPECIFICATIONS

- Adjustability : 0° - 40°
- Aperture : Ⓢ ⌀74
- IP rating : IP 20
- Lamp info :

 GU10 / 230V

 MR16/ GU5.3/ 12V

- Option : Honeycomb filter