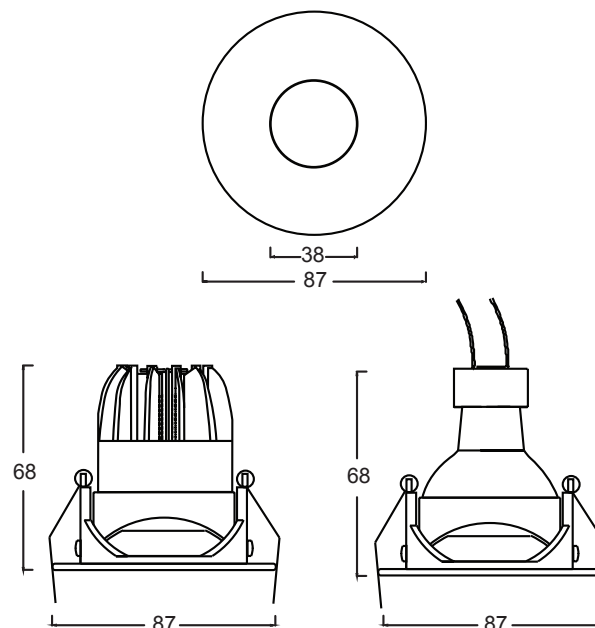
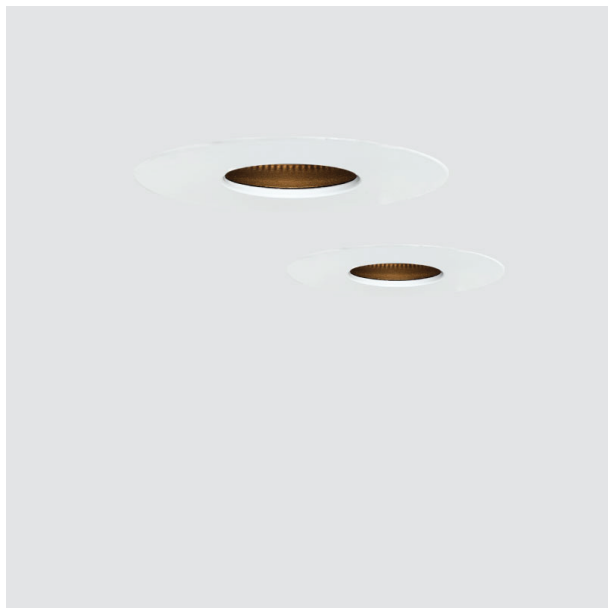


ANESIS pinhole flush the ceiling



Ceiling recessed downlight

Data Sheet



Anesis pinhole flush the ceiling downlight with $\varnothing 38\text{mm}$ pinhole aperture and supplied with a separate die cast aluminium-kit for seamless appearance in plaster ceilings. Available in both white or black finish as standard.

This product can accommodate a wide choice of LED light sources including COB led and Retrofit MR16 & GU10 LED lamps. The tilt mechanism allows the luminaire to be angled with precision up to 30° , allowing for optimum beam alignment. As a result, the light is emitted exactly where you want it.

PRODUCT CODE

○ 02-218-01

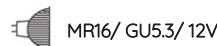
● 02-218-02

KEY FEATURES

- Fixed & adjustable recessed downlight
- Deep recessed lamp position for low glare
- Flush the ceiling appearance
- Colour : White | ral 9010
Black | ral 9005
- and in option other ral colours.
- Flush the ceiling kit

SPECIFICATIONS

- Adjustability : $0^\circ - 40^\circ$
- Kit-aperture $\varnothing 95$
- IP rating : IP 20
- Lamp info :



- Option : Honeycomb filter

